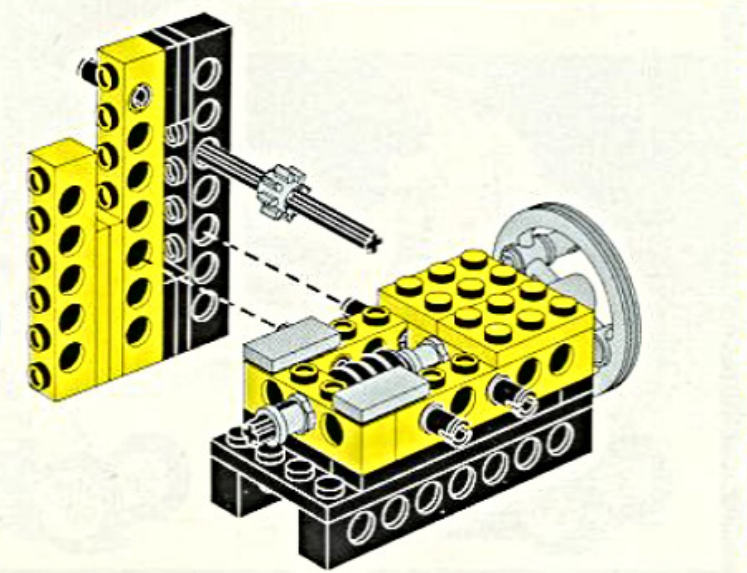
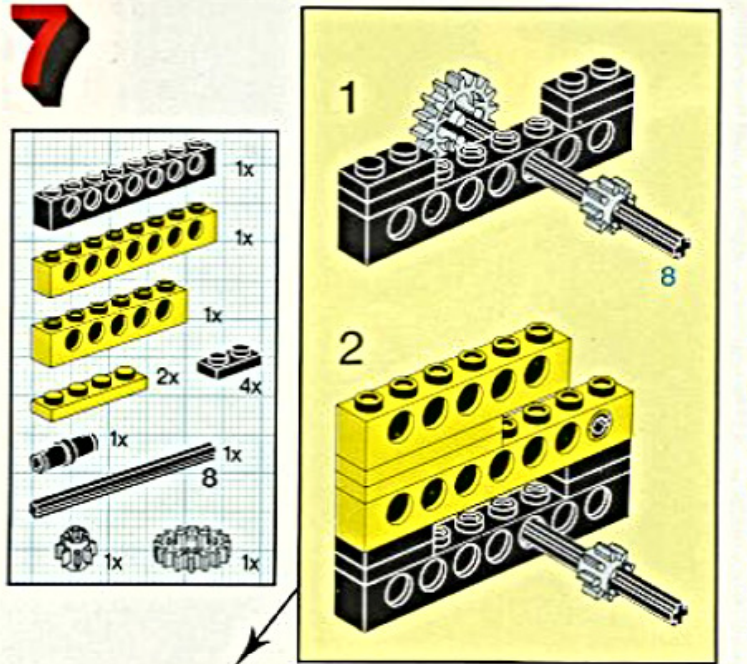
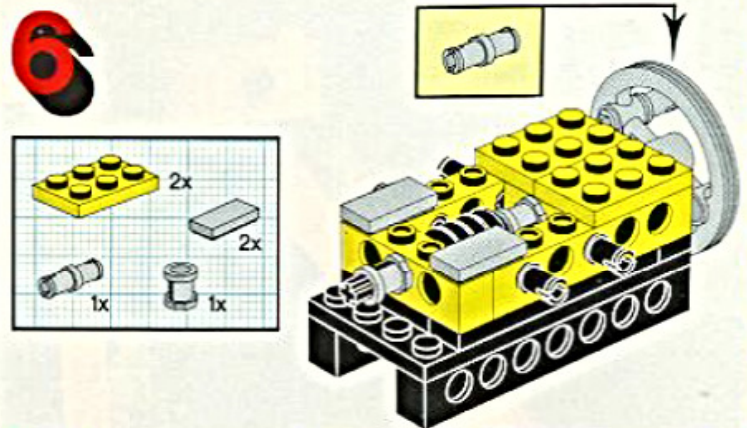
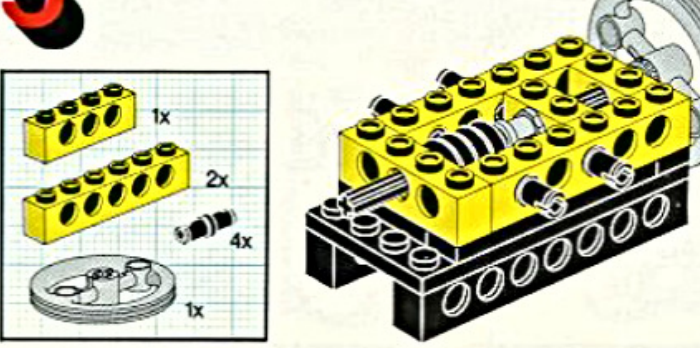
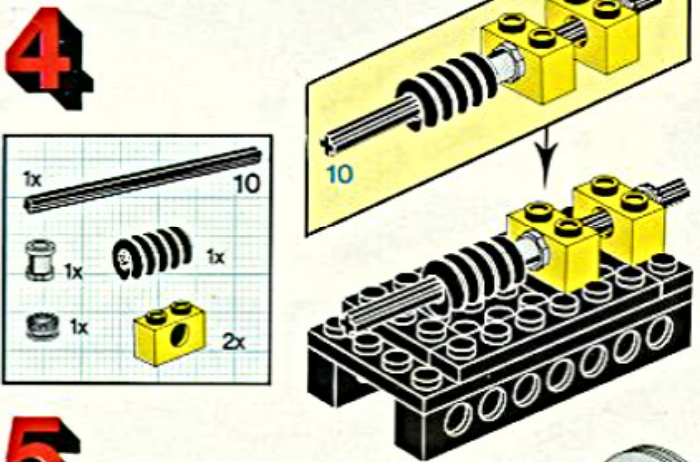
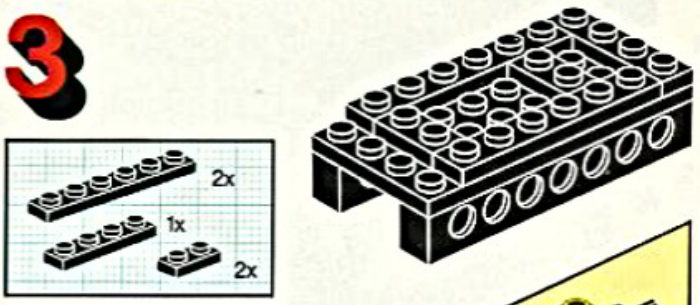
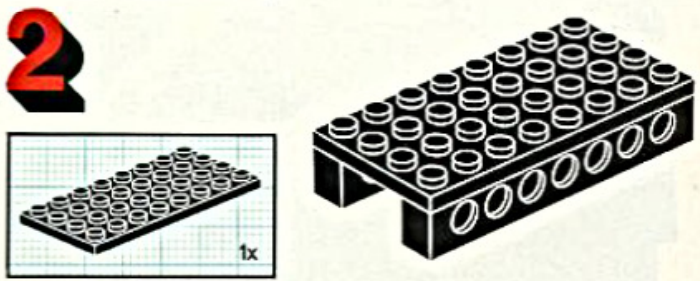
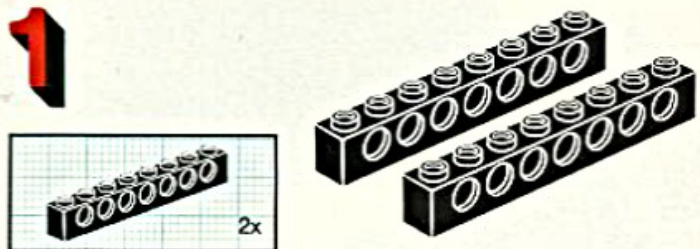
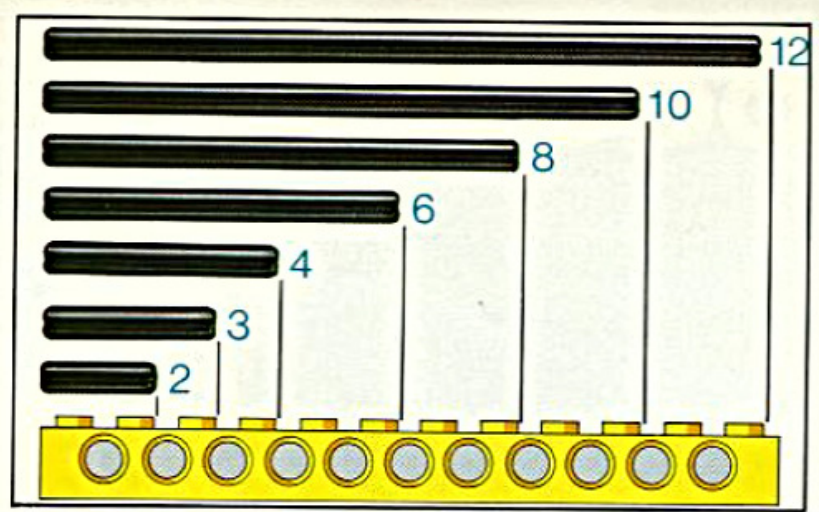
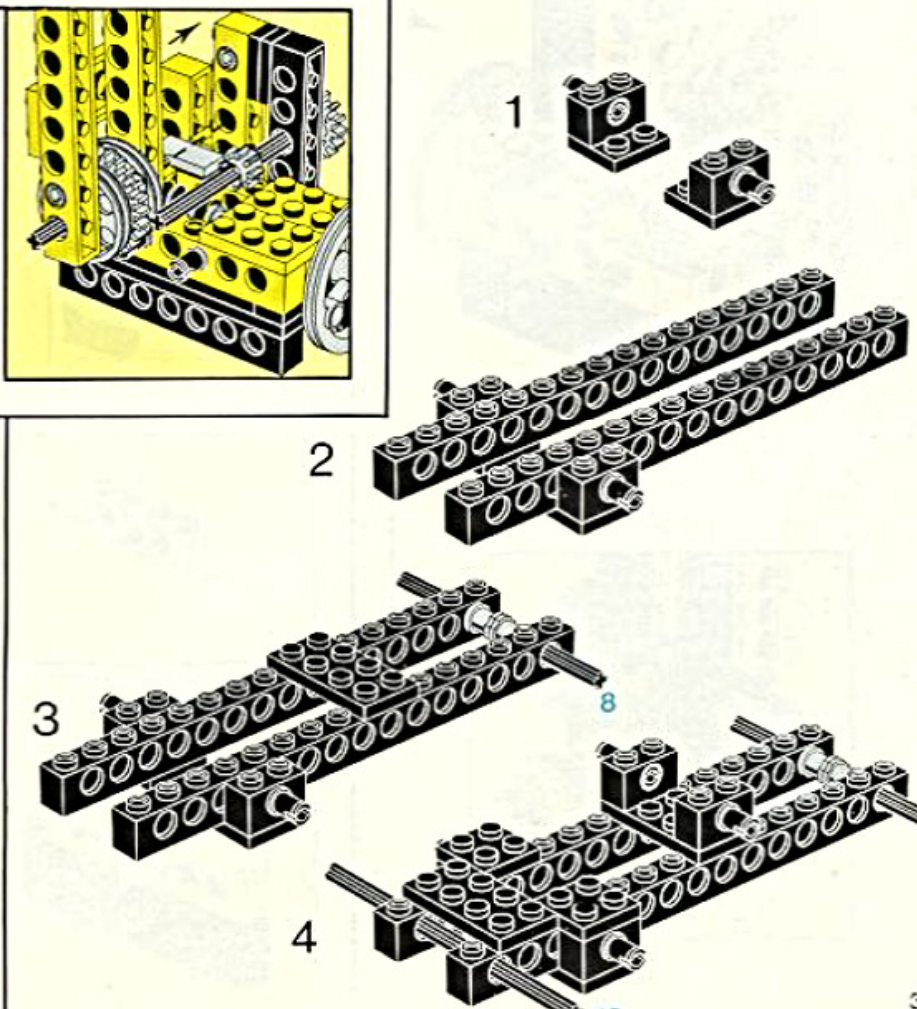
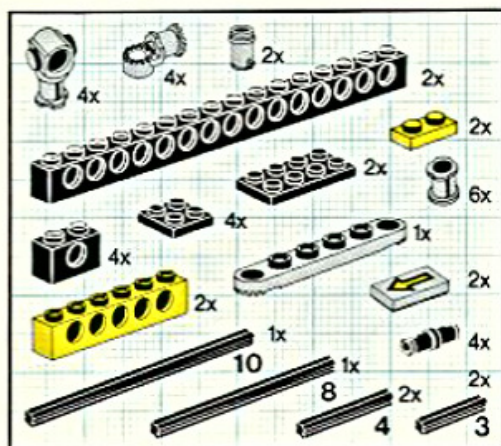
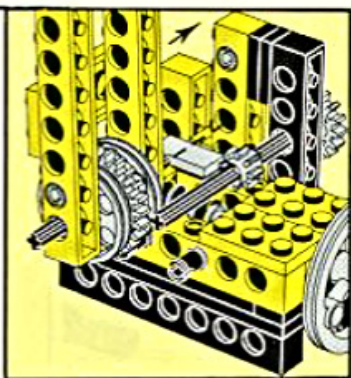
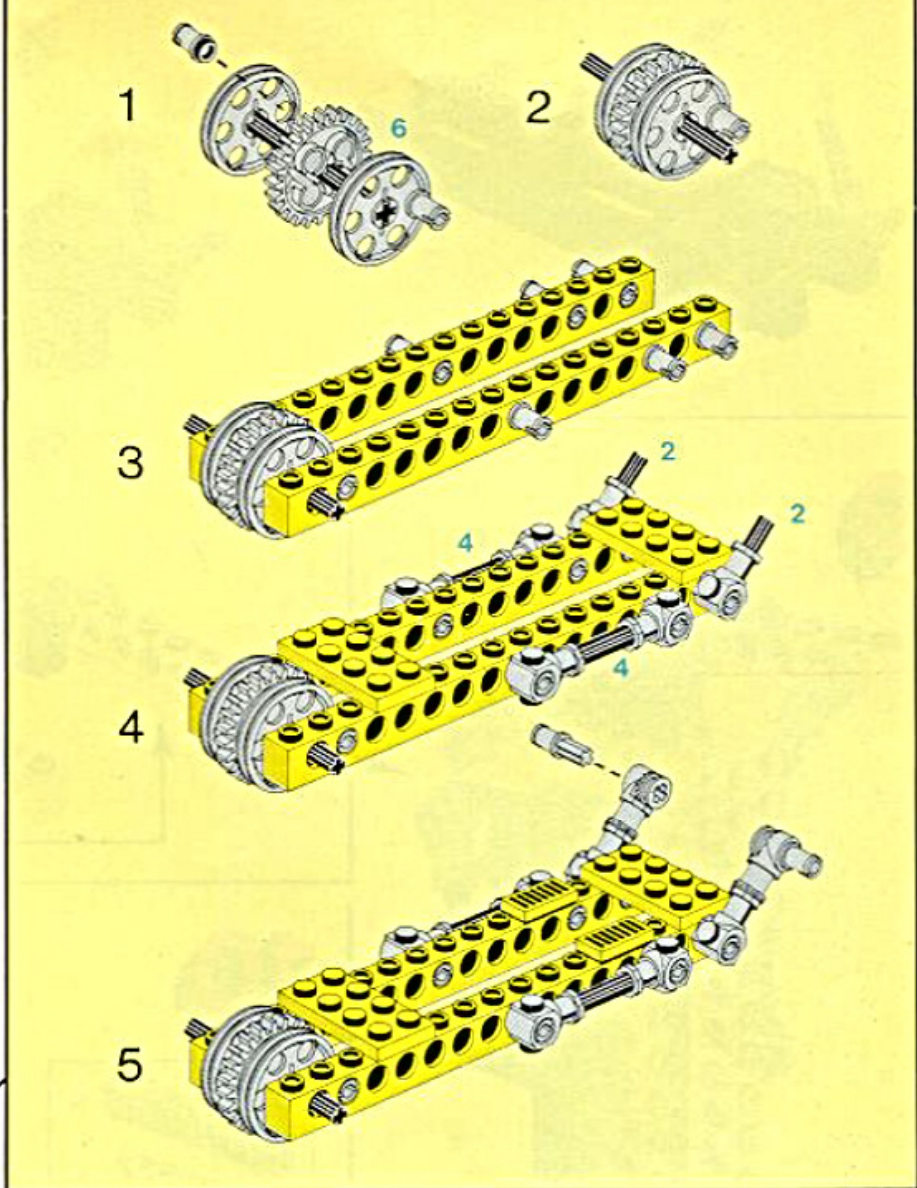
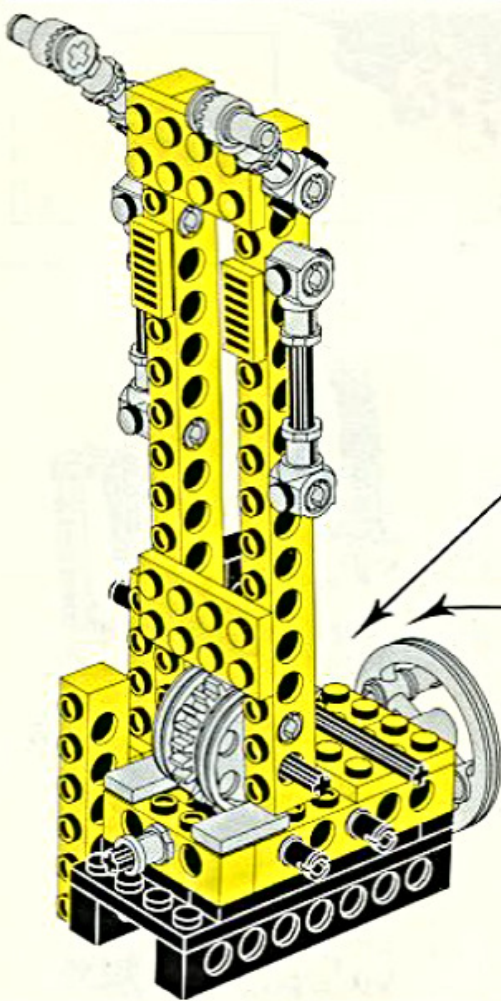
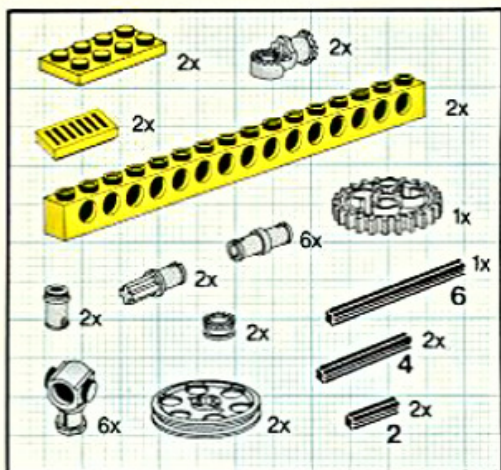


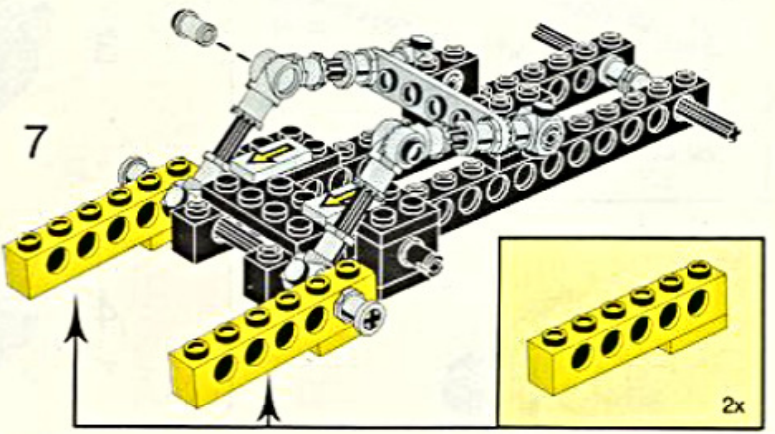
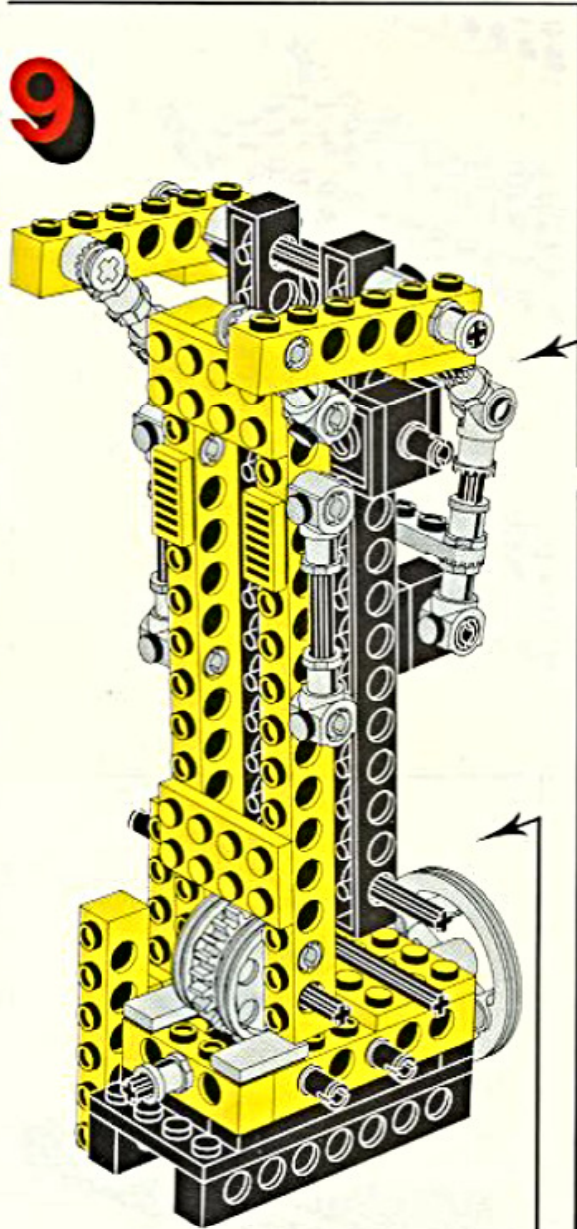
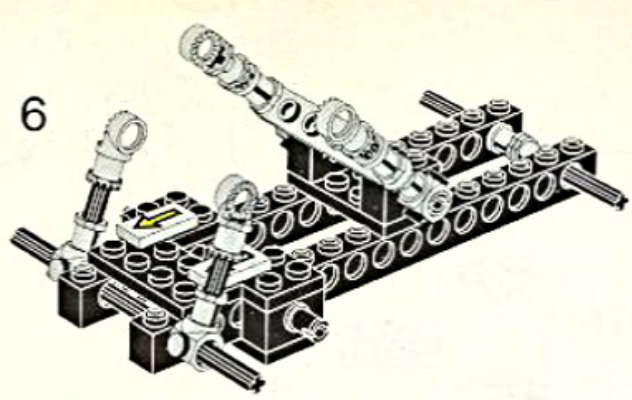
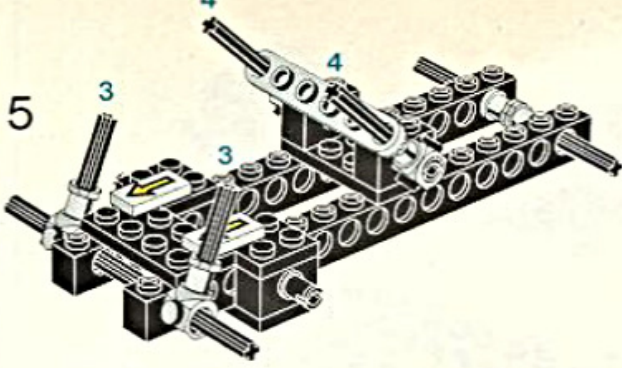
8852

Technic

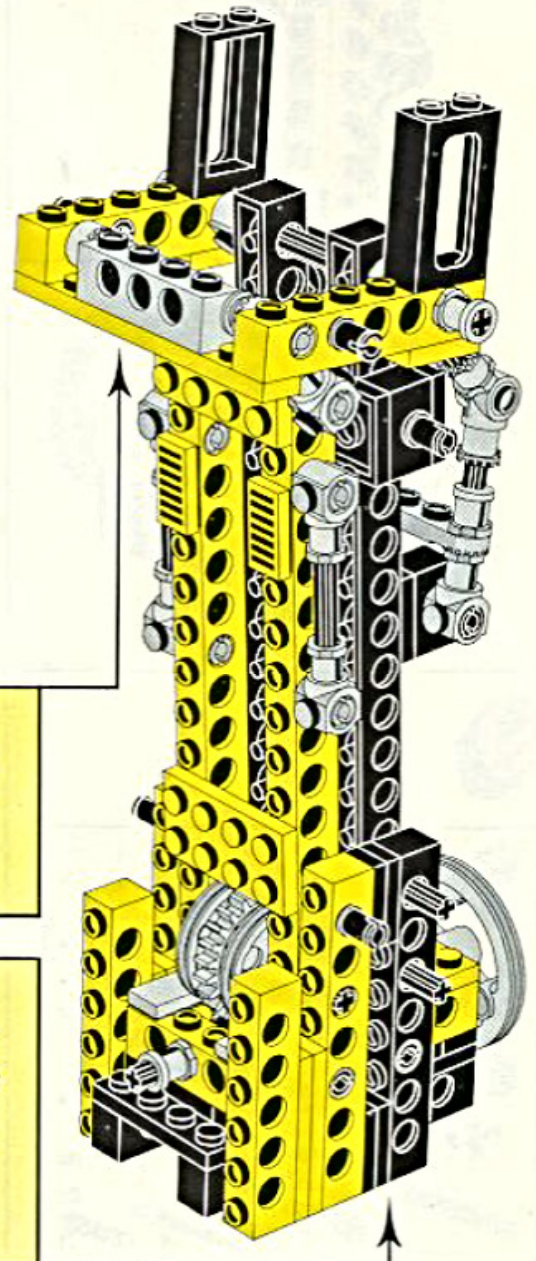
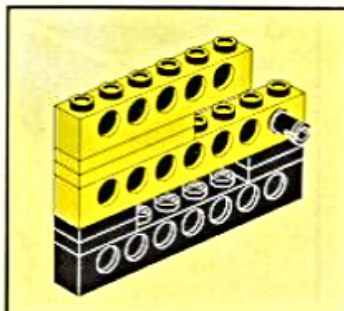
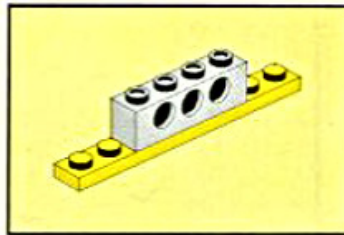
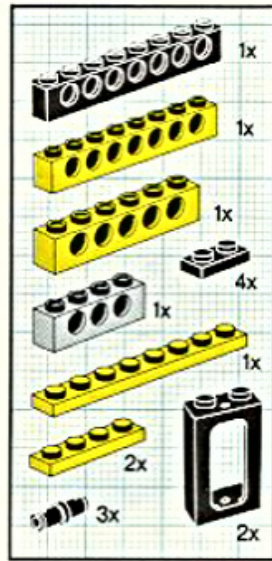




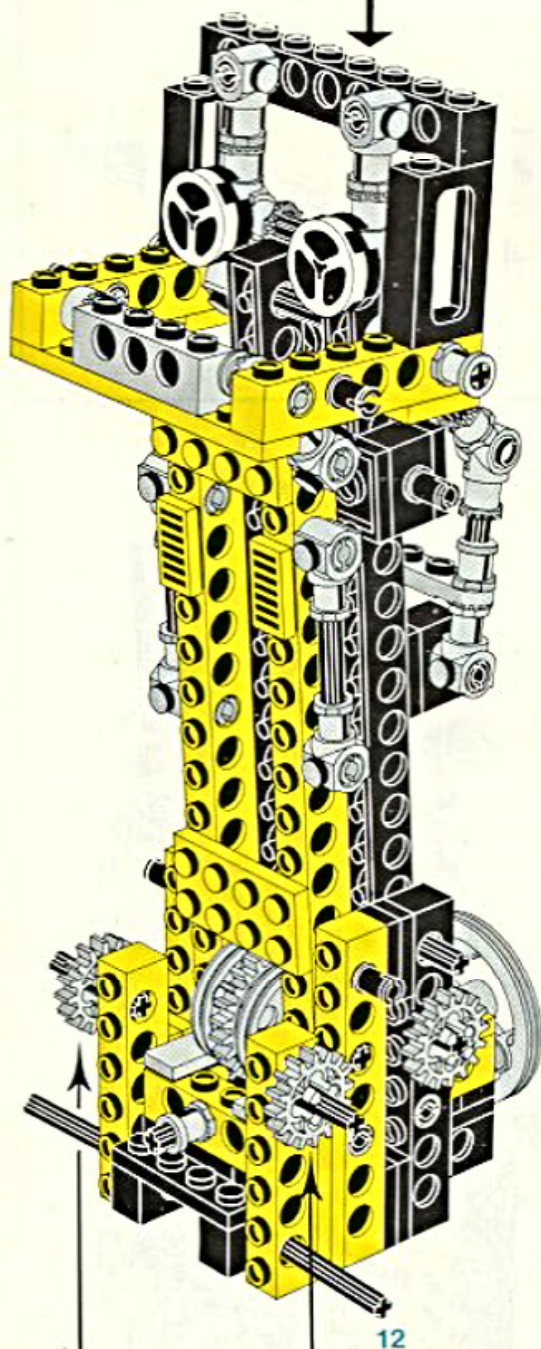
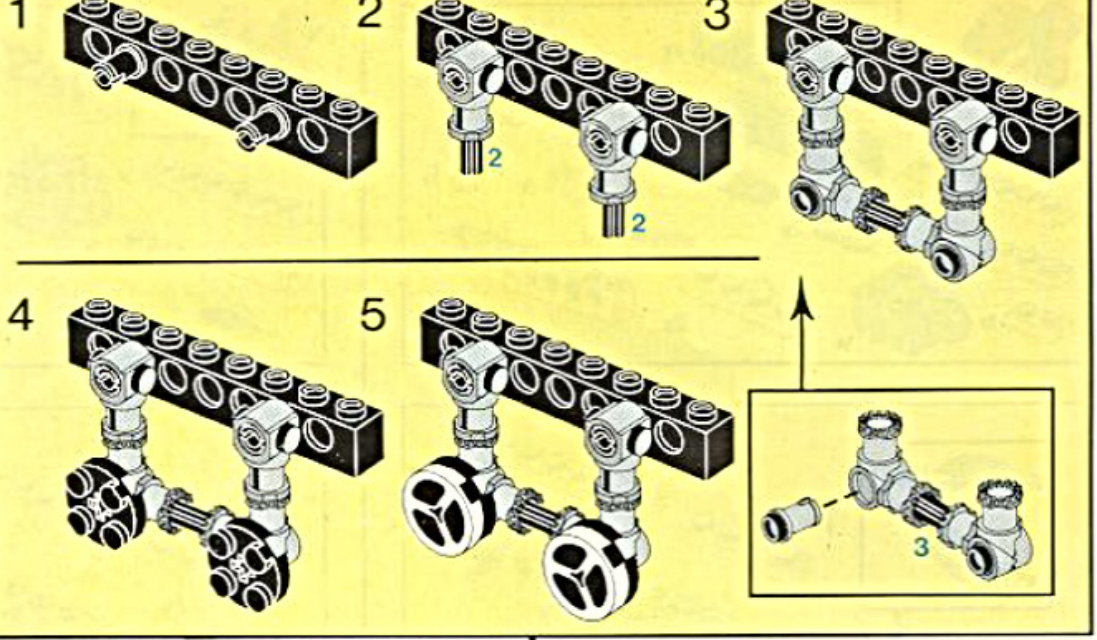
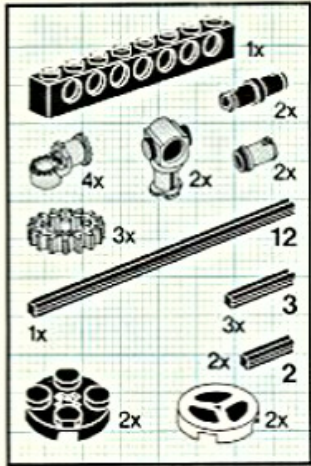




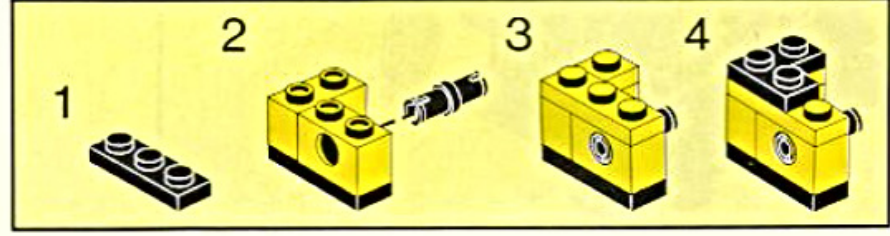
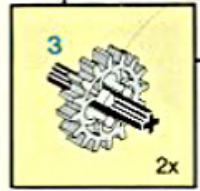
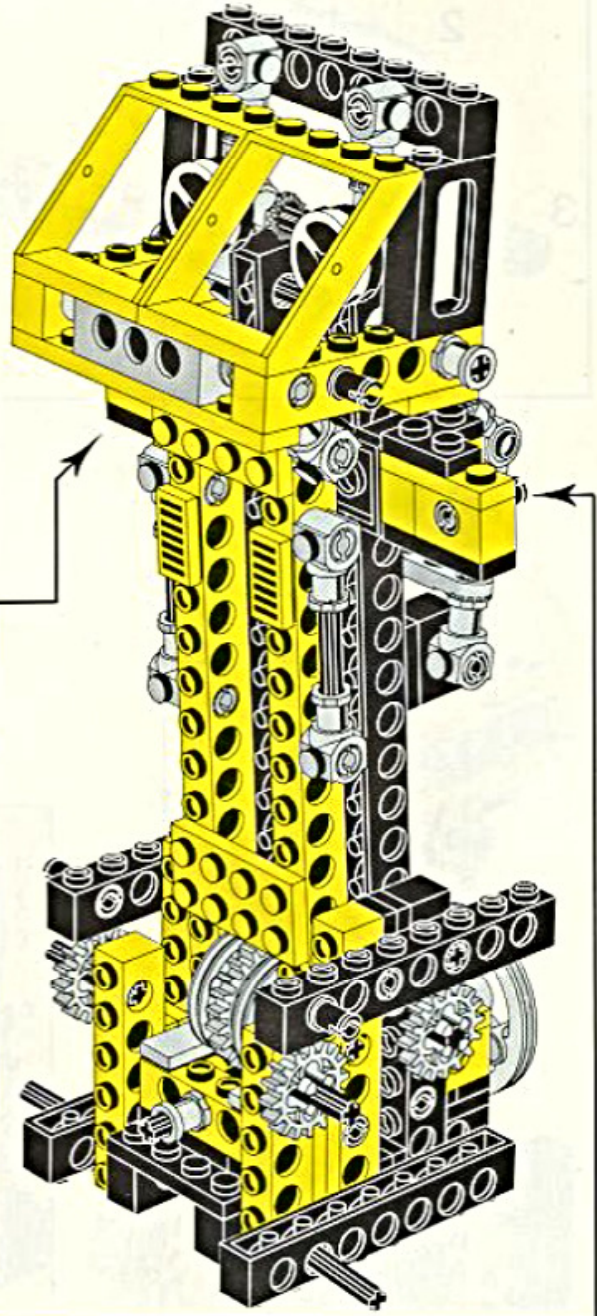
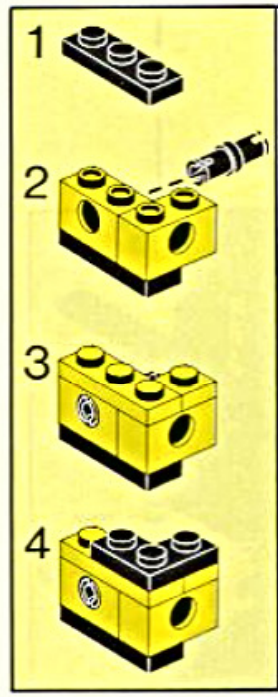
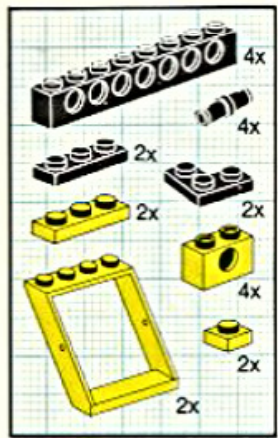
10



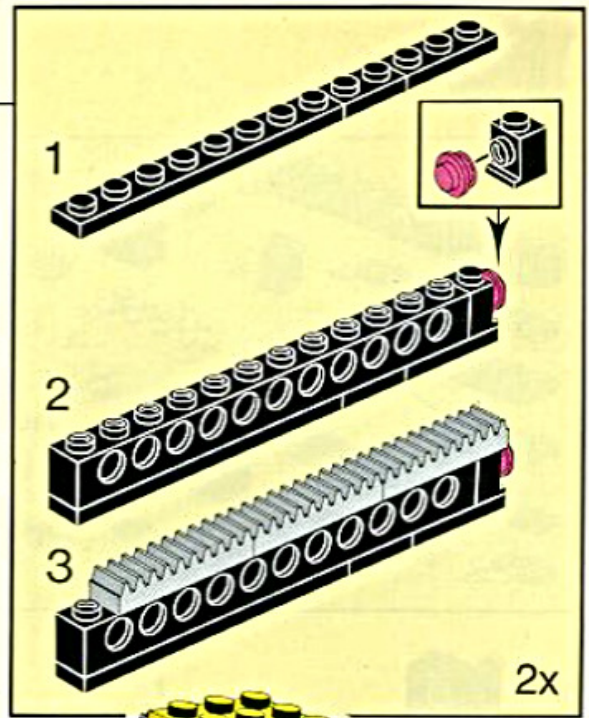
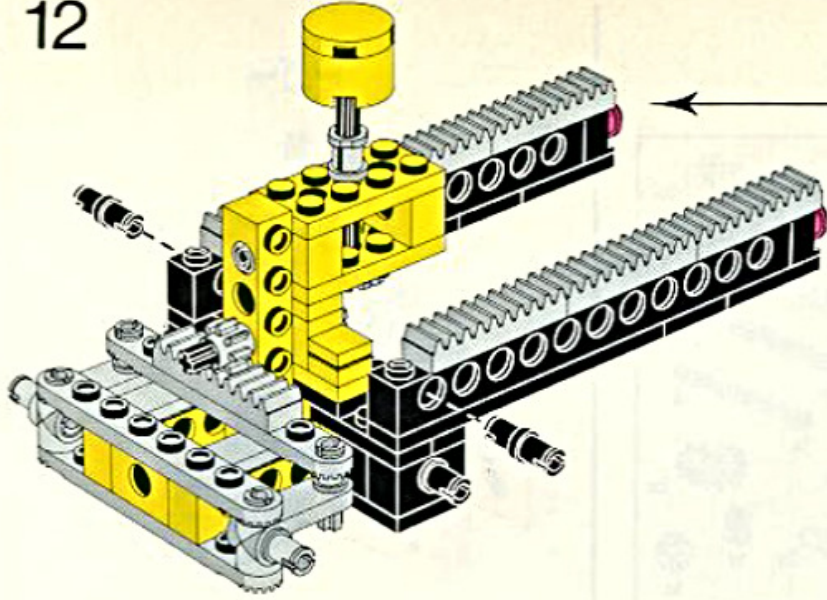
11



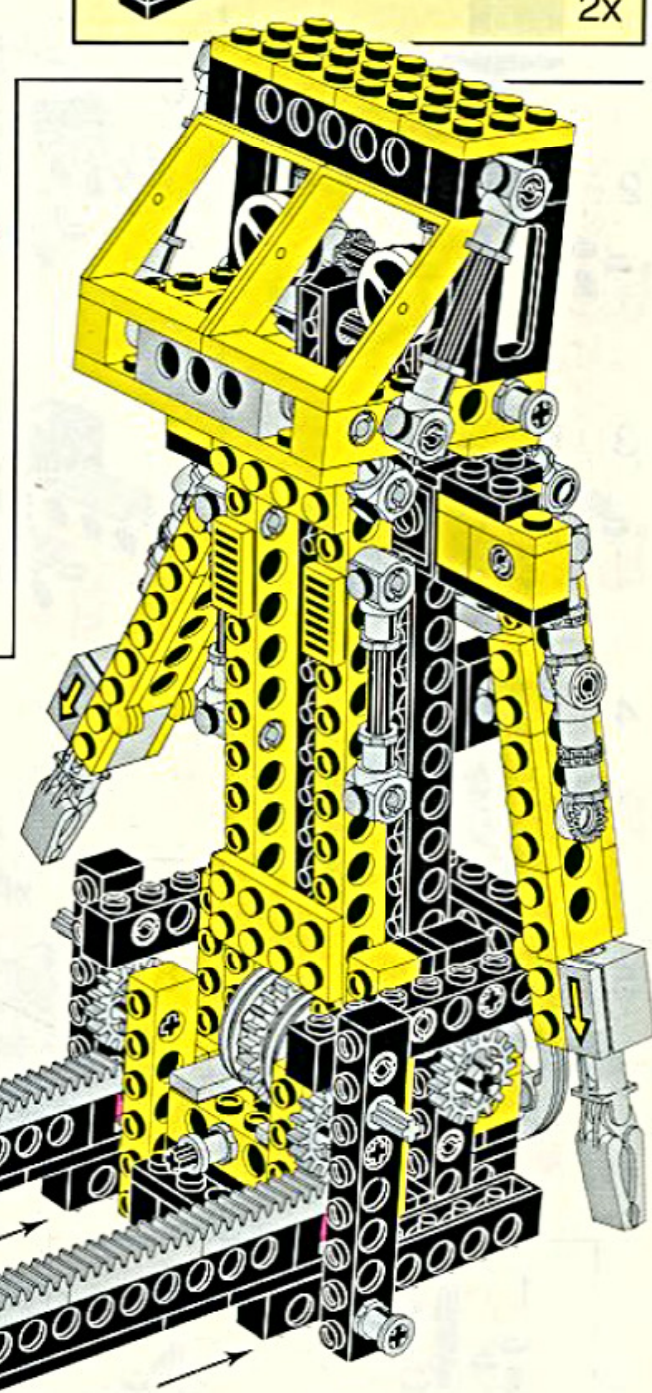
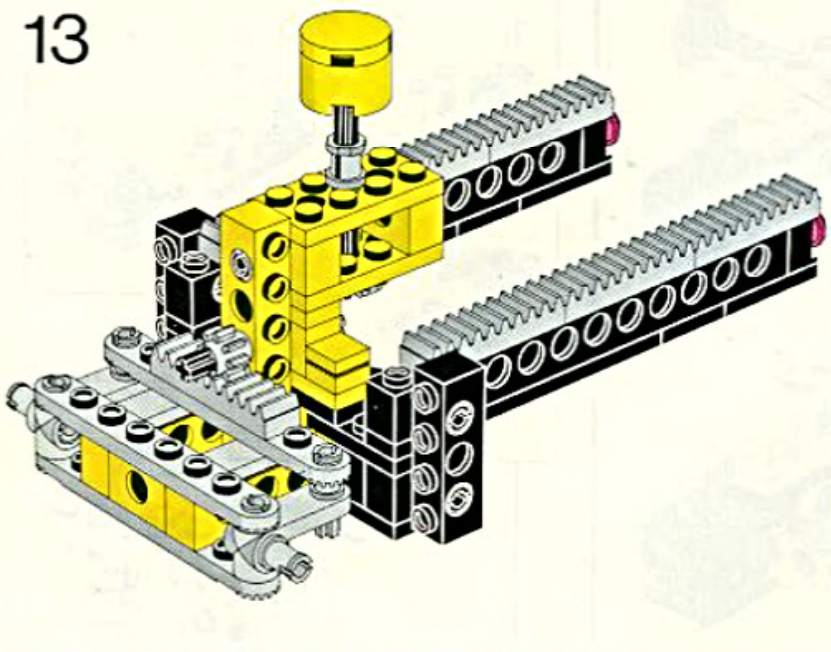
12



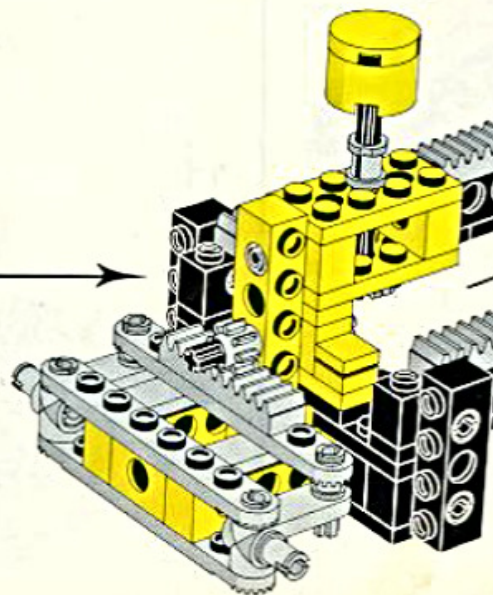
12



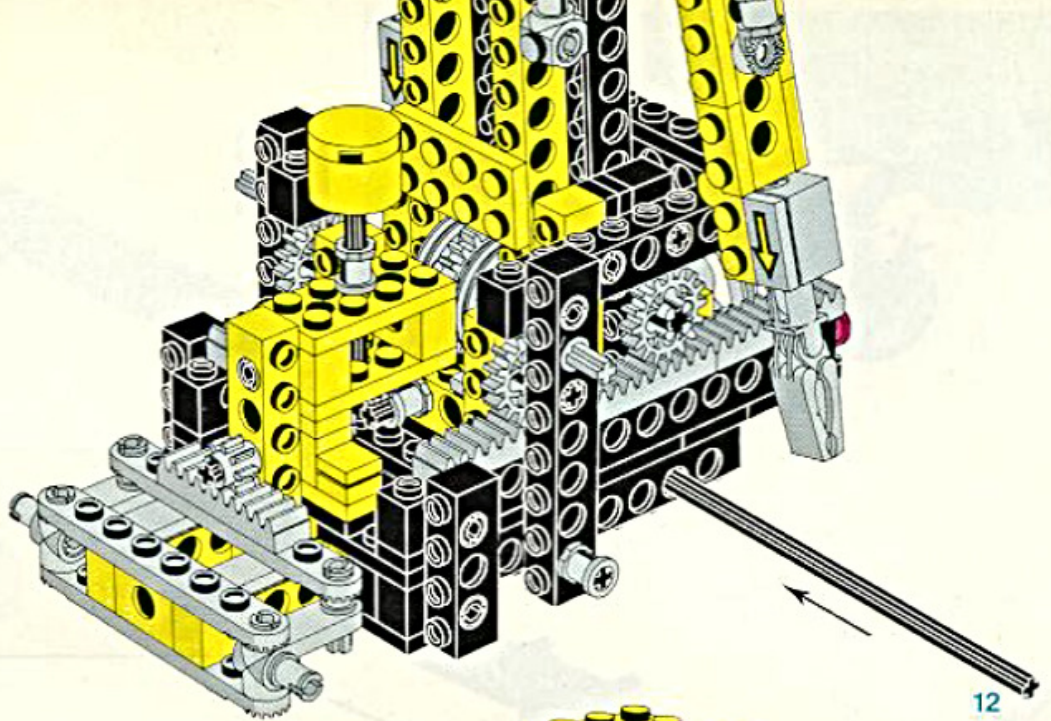
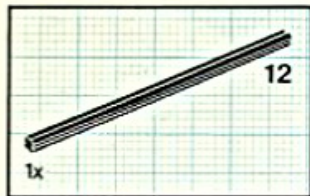
13



15



16



17

